

# Hunger BDW

## Liner Seating Refacing Tool for seating diameter range 90 - 180mm

The BDW machines the cylinder liner seating in a lathe-type facing action, providing the proper surface texture for a perfect seal.

Automatic centering  
by the mere turn  
of the centering spindle

Stable mechanical mounting  
of the refacing tool  
by using the studs at the  
cylinder block.

Automatic cross feed  
at each turn of the  
crank handle.

Adjustable depth stop  
for refacing all seatings  
to the preset depth



Operation is simple and straight-forward.

Place BDW onto cylinder block surface so that studs extend through clamping base.

Turn inner centering shaft to position BDW in centerline with the bore.

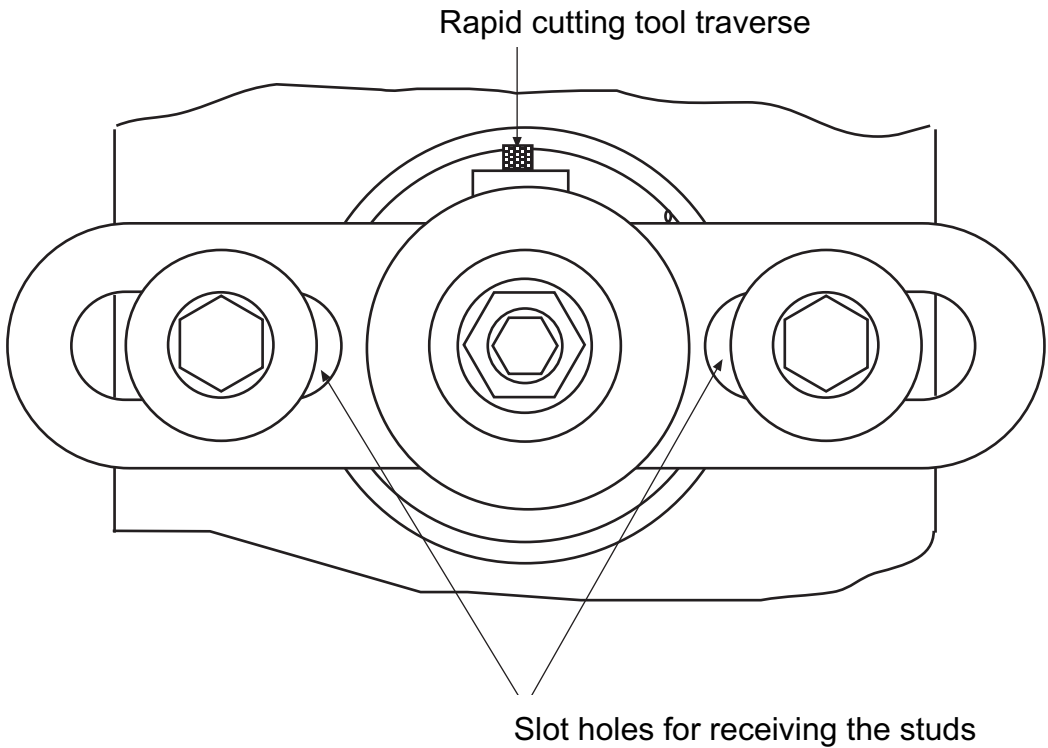
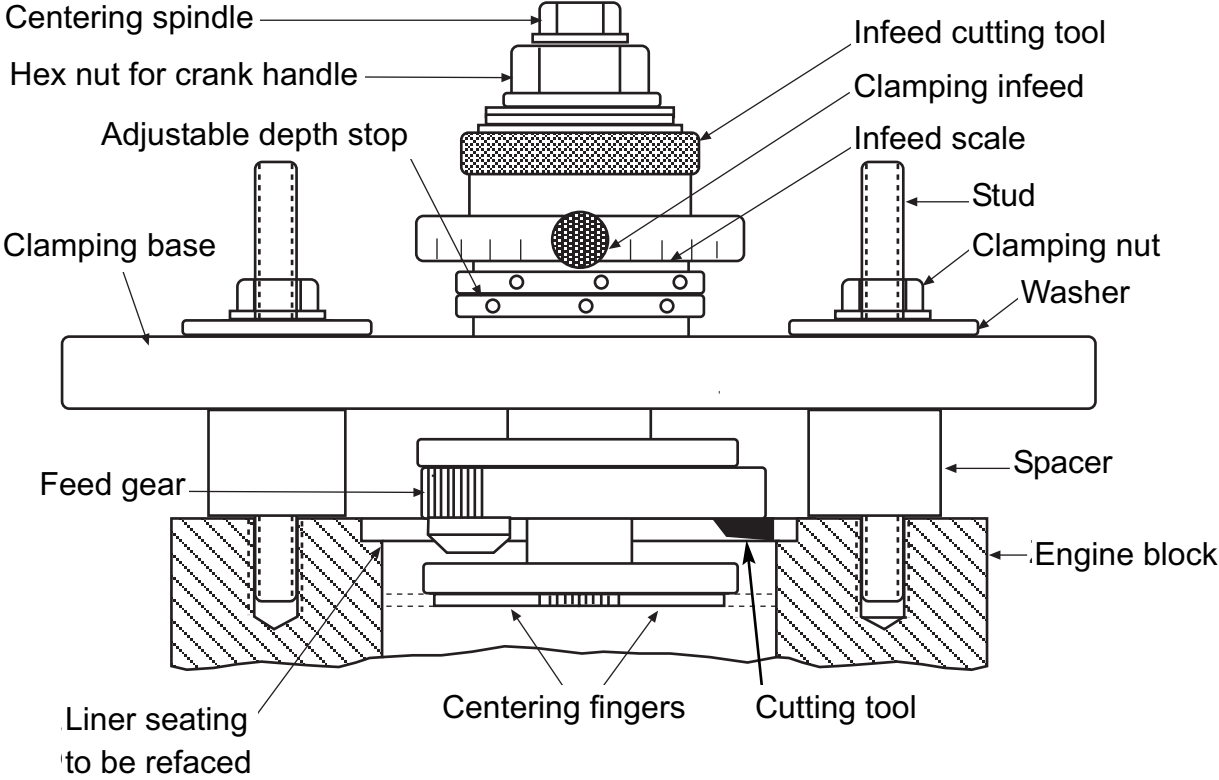
Lock BDW in place by simply screwing nuts onto the studs.

Advance carbide tipped cutter to the inner edge of the seating and set depth of cut.

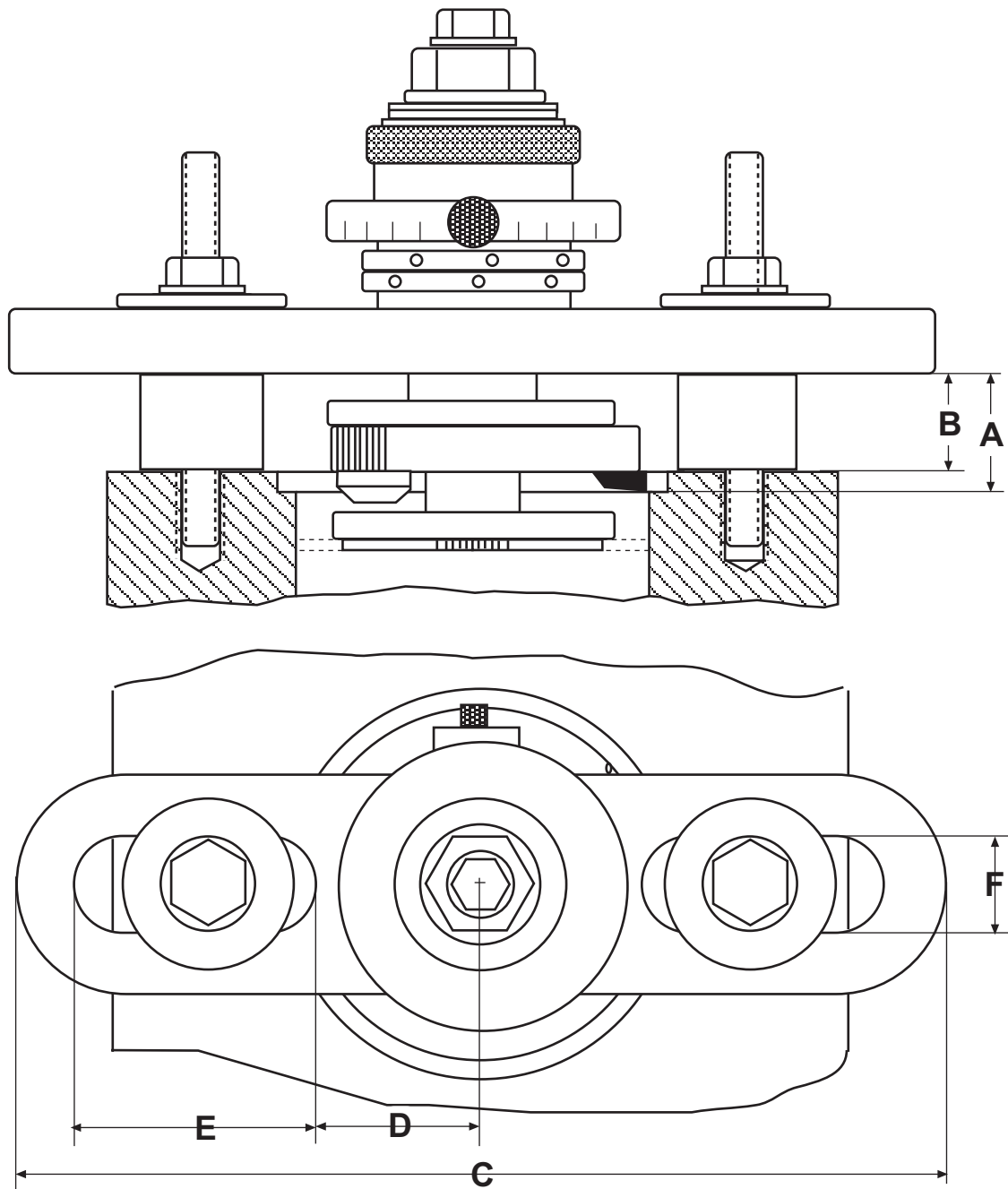
Turn handle to rotate cutter around the seating with simultaneous outward cross feed motion.

Take a further cut, if required.

# BDW Parts and Function



## BDW Dimensions



Min. vertical adjustment of cutting tool	$A_{\min} = 32\text{mm}$
Max. vertical adjustment of cutting tool	$A_{\max} = 42\text{mm}$
Height of spacer	$B = 37\text{mm}$
Length of clamping base	$C = 288\text{mm}$
Distance of slot hole from center	$D = 40\text{mm}$
Length of slot hole	$E = 85\text{mm}$
Width of slot hole	$F = 30\text{mm}$

## BDW Order Information

### BDW Kit MAN (Standard Kit)

#### Part No. 222 60 501

Contents:

Item	Description	Quantity	Part No.
1.	BDW Tool with linear clamping base	1	222 60 100
2.	Cutting tool 18C	1	222 10 163
3.	Spacer, semi-circular	2	222 10 204
4.	Washer	2	222 20 208
5.	Clamping segment	2	222 10 140
6.	Spacer bush	2	222 10 141
7.	Crank handle	1	222 60 210
8.	Wrench, 6mm	1	863 12 068
9.	Tommy bar	2	216 91 450
10.	Carrying case	1	222 60 902

### BDW Kit Deutz

#### Part No. 222 50 000

Contents:

Item	Description	Quantity	Part No.
1.	BDW Tool with cruciform clamping base	1	222 50 100
2.	Cutting tool 18C	1	222 10 163
3.	Spacer, semi-circular	2	222 10 202
4.	Spacer, rectangular	1	222 10 204
5.	Screw M12	2	222 20 205
6.	Threaded bolt M14/M15,3	3	222 20 206
7.	Nut M14	3	N934M14
8.	Nut M15,3	3	222 20 207
9.	Washer	3	222 20 208
10.	Washer	2	N125B13
11.	Crank handle	1	222 60 210
12.	Wrench, 6mm, 6mm	1	863 12 068
13.	Tommy bar	2	216 91 450
14.	Carrying case	1	222 60 900

### Ludwig Hunger GmbH

Graefelfinger Str. 146  
81375 Munich/Germany

Tel.: +49 89 7091-0  
Fax: +49 89 7091-26

info@ludwig-hunger.de  
www.ludwig-hunger.de